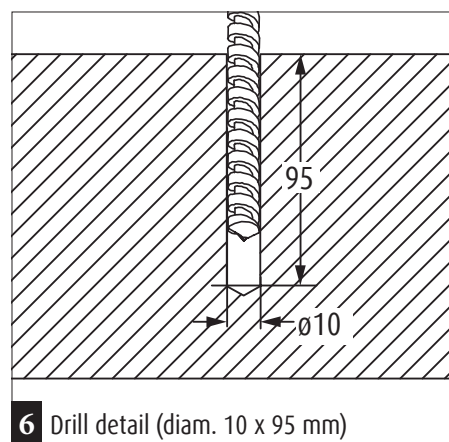
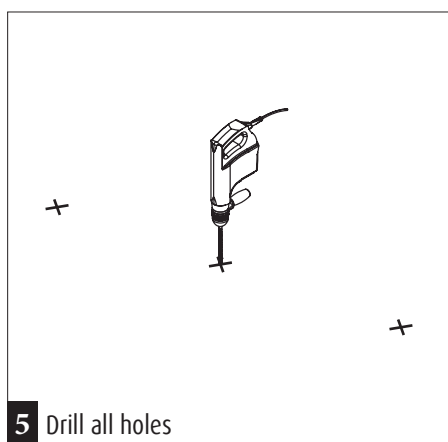
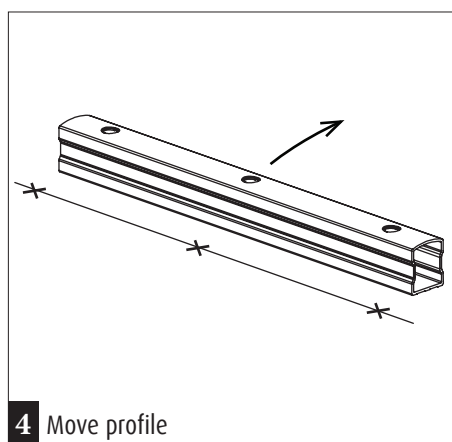
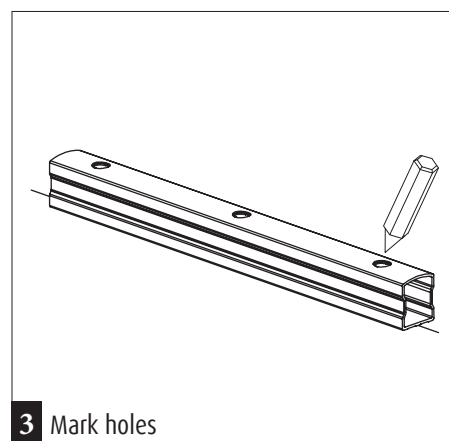
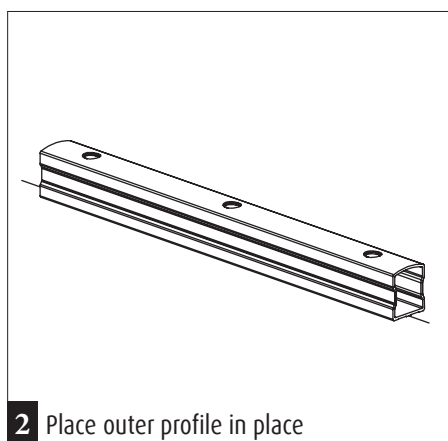
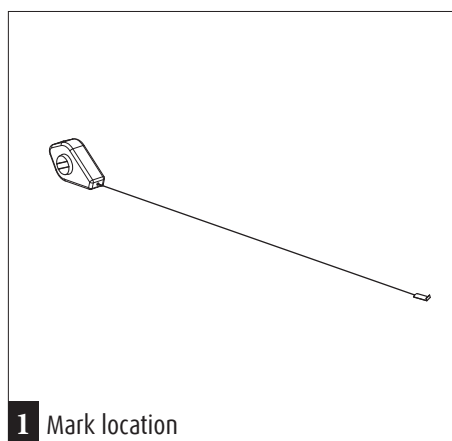
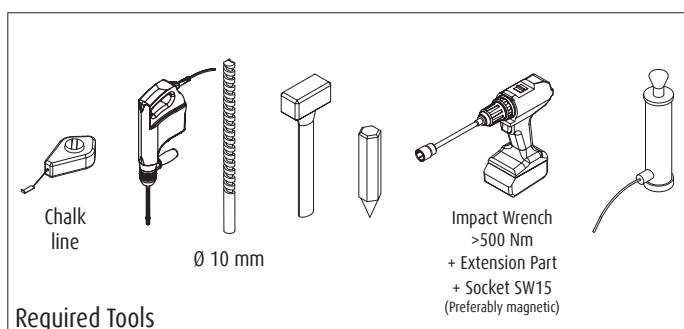
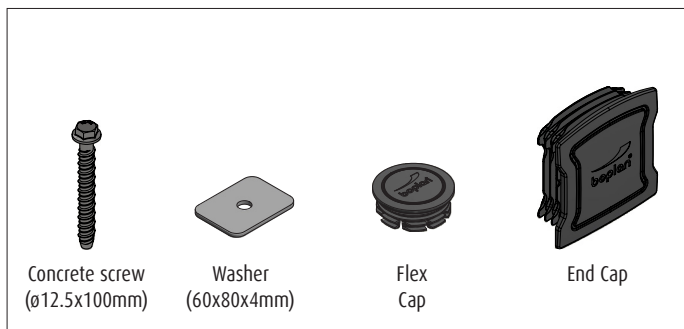
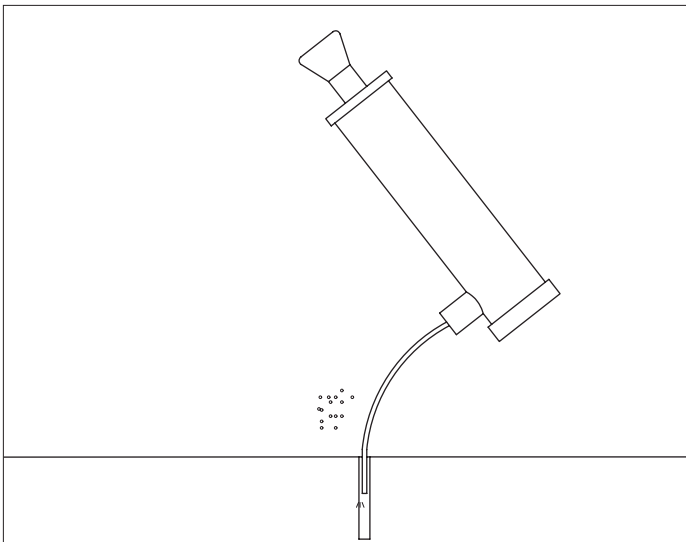


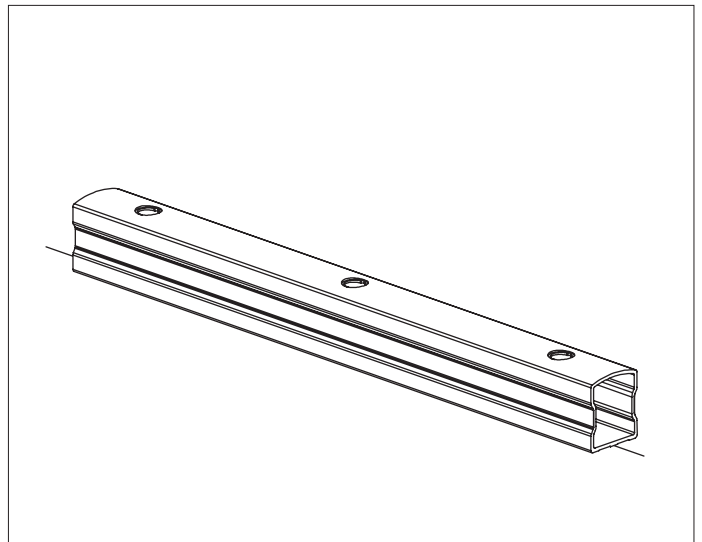
# Bodenbarriere -Flip 120-

## INSTALLATION SHEET

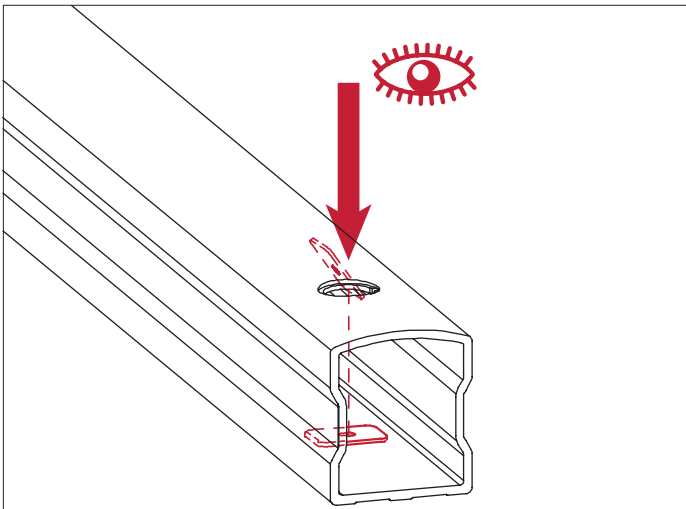




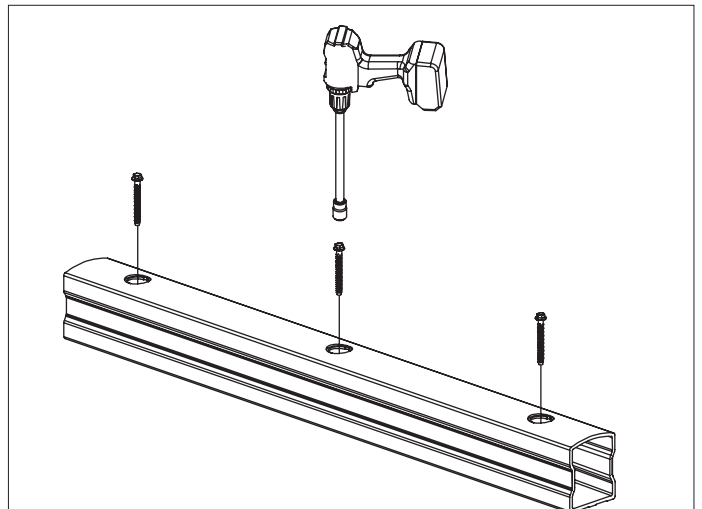
**7** Remove dust



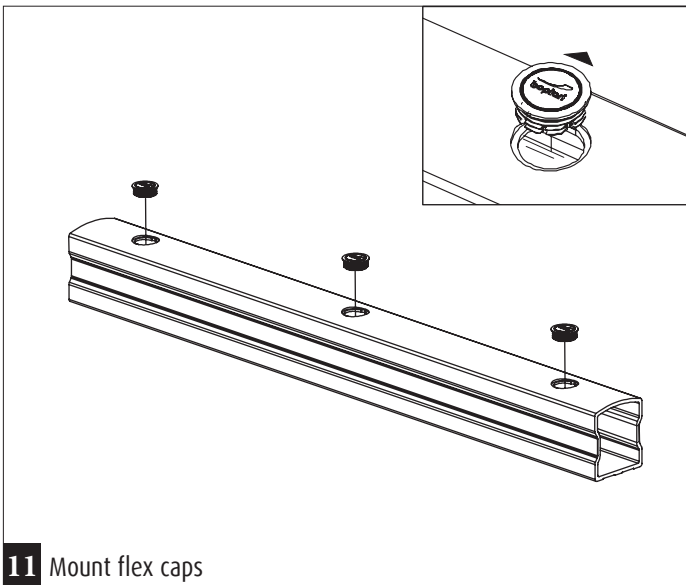
**8** Place the profile back in place and align the holes



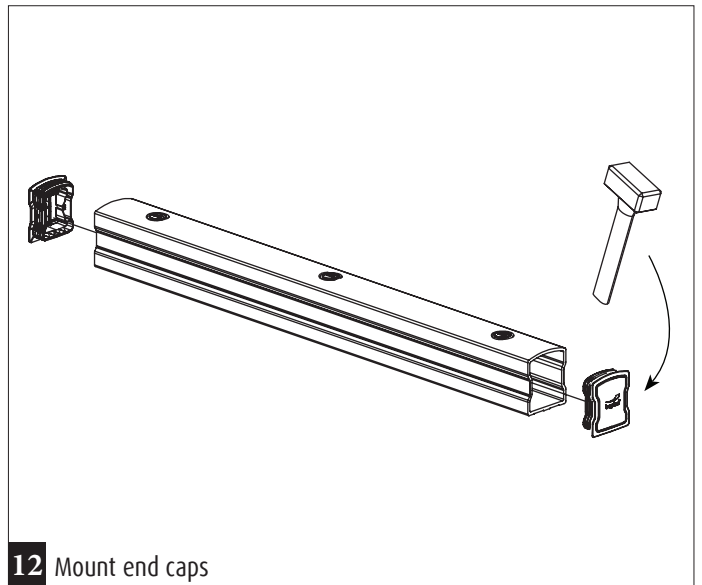
**9** Place a washer trough each hole and position correctly



**10** Position the screws and tighten with impact wrench.  
Torque = 80 Nm



**11** Mount flex caps



**12** Mount end caps